

Up to 40 Gbit/s 700–890 nm High Speed Receiver Optical Subassembly (ROSA)



Sample image only. Actual product may vary

Product Code: R40-850

Preliminary

Product Description

The R40-850 receiver optical subassembly (ROSA) utilizes a PIN photodetector and transimpedance amplifier (TIA) integrated in a square size 5.6mm package. The multi mode fiber coupled ROSA is designed for short reach ultrahigh-speed data communication applications of up to 40Gbit/s. Each part is electro-optically tested to ensure a maximum performance.

Features

- Up to 40 Gbit/s data rate
- Small size package
- Low power consumption

Applications

- 40G / 100G short reach transceivers
- Proprietary optical interconnects
- Research and development

Parameter	Typical (PD chips)	Notes
Operating Wavelength	700 ~ 890 nm	
3 dB Bandwidth	≥ 30 GHz	
Rise time (20% to 80%)	6 ps	
Dark Current	< 10 pA	
Maximum input power	2 mW @ 850 nm	

All product specifications and descriptions are subject to change without notice.

Please contact our sales department for additional information and to receive a quotation: sales@v-i-systems.com

Electro-optical characteristics (at T_{case} = 25 °C)

Preliminary

Parameter	Symbol	Test Condition	Min	Typ	Max	Unit
Wavelength responsivity	λ		790	850	890	nm
Case operating temperature	T _{op}		-10		85	°C
Supply voltage	V _{cc}		3.3		3.4	V
Supply current	I _{cc}		34	45	61	mA
Bandwidth	BW			30		GHz
Low frequency cutoff					70	kHz
Sensitivity (OMA)	S			-13	-12	dBm
Output resistance	R _o			100		Ω
Optical overload					0	dBm
Differential output voltage	V _{out}				280	mV
Duty cycle distortion				1	10	%
Rise/Fall time	T _R / T _F		9		10	ps

Absolute Maximum Ratings

Parameter	Symbol	Min	Max	Unit
Storage temperature	T _{st}	-40	+90	°C
Lead solder temperature	T _s		260° for 10 sec	°C
Incident optical power	P _{in}		+5	dBm
Power supply voltage	V _p		4.0	V

All product specifications and descriptions are subject to change without notice.

Please contact our sales department for additional information and to receive a quotation: sales@v-i-systems.com

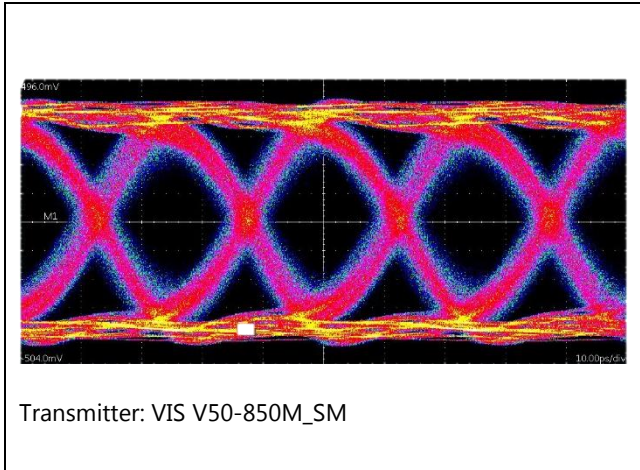
Datasheet

R40-850

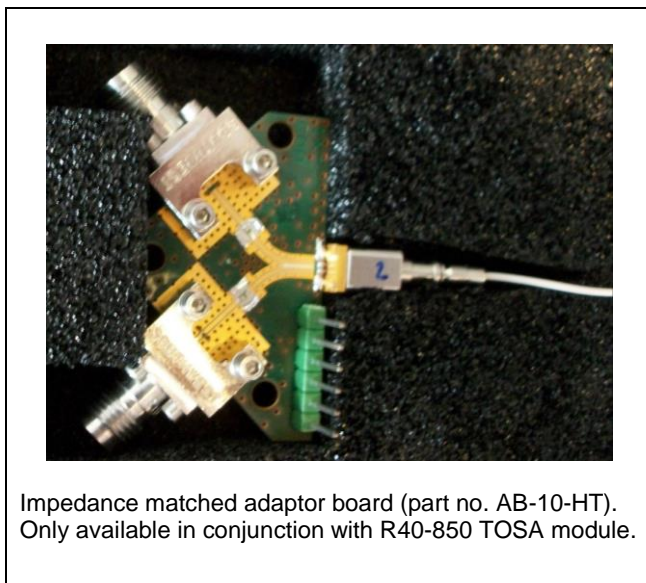


Vertically Integrated Systems

Eye diagram at 40 Gbit/s



Optional adaptor board



Pin description for AB-10-HT adaptor board



Pin#	Signal	Description
1	Vcc	supply voltage for TIA 3.3 V
2	--	not used
3	--	not used
4	Ving	crossing adjustment 0...3 V
5	Vmod	amplitude adjustment 0...3 V
6	V _{PD}	bias voltage for PD 2...5 V

Ground is to be supplied by the RF connectors

All product specifications and descriptions are subject to change without notice.

Please contact our sales department for additional information and to receive a quotation: sales@v-i-systems.com

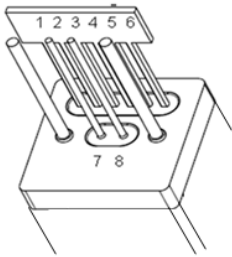
Datasheet

R40-850



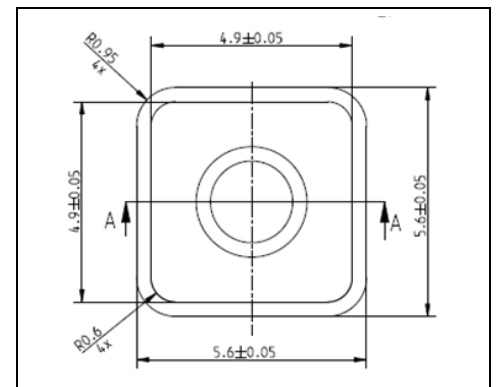
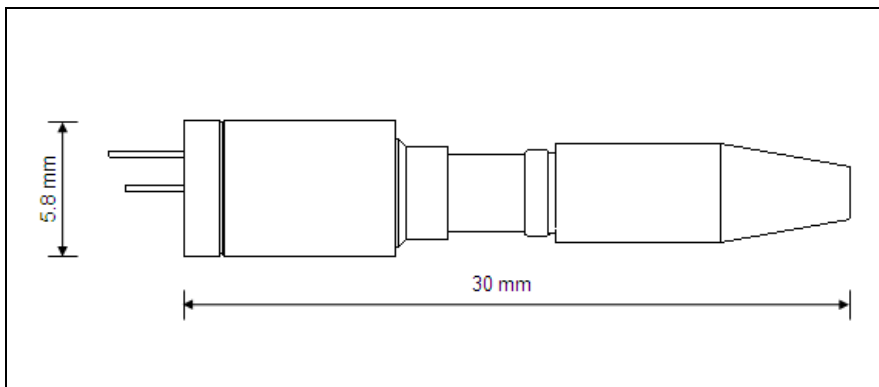
Vertically Integrated Systems

Pin out



Pin#	Signal	Description
1	V _{PD}	Bias voltage for PD
2	V _{mod}	Amplitude adjustment
3	V _{xing}	Crossing point adjustment
4		Amplitude adjustment 0...3 V
5	GND	Ground
6	V _{cc}	Supply voltage TIA
7	OUT1	Diff. HF output
8	OUT2	Diff. HF output

Dimensions



VI Systems GmbH

Hardenbergstrasse 7
10623 Berlin

Tel.: +49 30 3083143 30

Fax: +49 30 3083143 59

sales@v-i-systems.com

www.v-i-systems.com



www.facebook.com/VISystems

All product specifications and descriptions are subject to change without notice.

Please contact our sales department for additional information and to receive a quotation: sales@v-i-systems.com

www.v-i-systems.com

VI Systems GmbH Hardenbergstrasse 7 D-10623 Berlin

No. 090929 Rev 3.3

June 2016