

Up to 28 Gbit/s 850nm VCSEL Transmitter Optical Subassembly (TOSA)



Sample image only. Actual product may vary

Product Code: T25-850

Preliminary

Product Description

The T25-850 transmitter optical subassembly (TOSA) combines an 850nm VCSEL and the customized driver A25-120C80 in a TO package coupled with a 50/125 μm multimode fiber. The T25-850 is designed for high speed data communication applications in optical transceiver modules. The device is configured for differential signal input.

Features

- up to 28 Gbit/s data rate
- 50/125 μm multimode fiber
- FC /PC optical output connector
- Differential signal input
- Anritsu V electrical connector
- small size package
- low cost design

Applications

- Fibre Channel 32GFC
- 25G Ethernet
- 100G short reach interconnects
- Research and development

Parameter	Typical (PD chips)	Notes
Emmission Wavelength	850 nm	
Data rate	up to 28 Gbit/s	
Supply Voltage	3.3V	
Power consumption	130mW	max.

All product specifications and descriptions are subject to change without notice.

Please contact our sales department for additional information and to receive a quotation: sales@v-i-systems.com

Electro-optical characteristics (at T_{case} = 25 °C)

Preliminary

Parameter	Symbol	Test Condition	Min	Typ	Max	Unit
VCSEL						
Peak emission wavelength	λ	P _{out} = 0.5mW	840	850	860	nm
Case operating temperature	T _{op}		-10		85	°C
RMS spectral width	$\Delta\lambda$	P _{out} = 0.5mW			0.4	nm
λ_p temperature coefficient	$\Delta\lambda_p$			0.06		nm/°C
Relative intensity noise	RIN	28 Gbit/s			130	dB/Hz
Rise/Fall time	T _r	P _{out} = 0.5mW		10		psec
	T _f	28 Gbit/s		10		psec
		20-80%				
Threshold current	I _{th}			0.7		mA
I _{th} temp variation	ΔI_{th}	T = -10 °C to 85 °C		+1.0	+2.0	mA
Laser forward voltage	V _f	P _{out} = 0.5mW		2.2		V

Absolute Maximum Ratings

Parameter	Symbol	Min	Max	Unit
Storage temperature	T _{st}	-40	+90	°C
Lead solder temperature	T _s		260° for 10 sec	°C
Laser forward current 85°C	I _F		7	mA
Laser reverse voltage	V _{RRD}		-2	V
ESD (Human Body Model)	T _r		Class 1	

All product specifications and descriptions are subject to change without notice.

Please contact our sales department for additional information and to receive a quotation: sales@v-i-systems.com

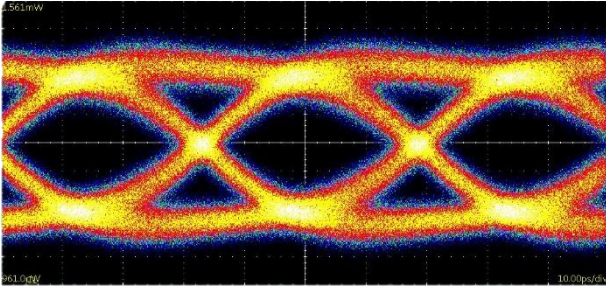
Datasheet

T25-850



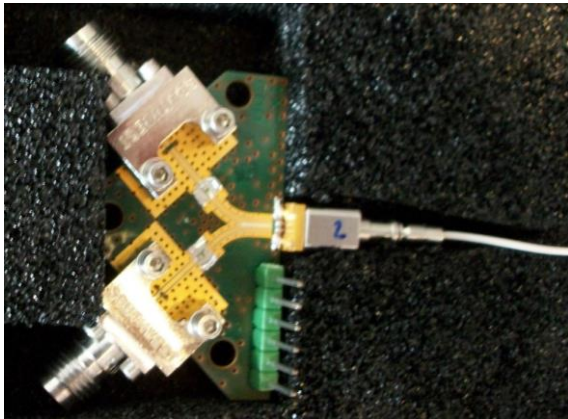
Vertically Integrated Systems

Eye diagram at 28 Gbit/s



Receiver: Textronix 80C15-32 GHz

Optional adaptor board



Impedance matched adaptor board (part no. AB-10-HT).
Only available in conjunction with T25-850 TOSA module.

Pin description for AB-10-HT adaptor board



Pin#	Signal	Description
1	Vcc	Power Supply for driver 3.3 V
2	--	not used
3	Xing	Crossing adjustment 0...3 V
4	Vmod	Amplitude adjustment 0...3 V
5	Vbias	Bias current control 0...3 V
6	--	not used

Ground is to be supplied by the RF connectors

All product specifications and descriptions are subject to change without notice.

Please contact our sales department for additional information and to receive a quotation: sales@v-i-systems.com

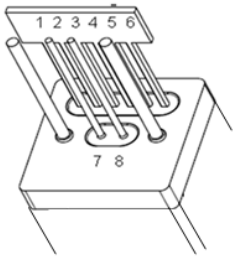
Datasheet

T25-850



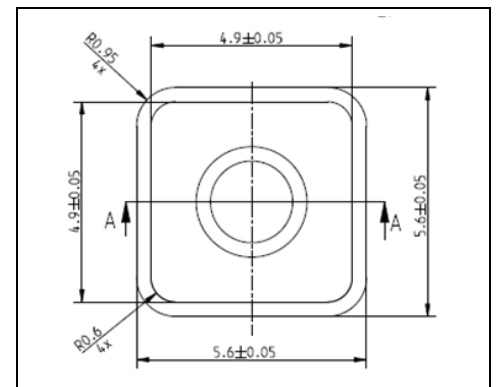
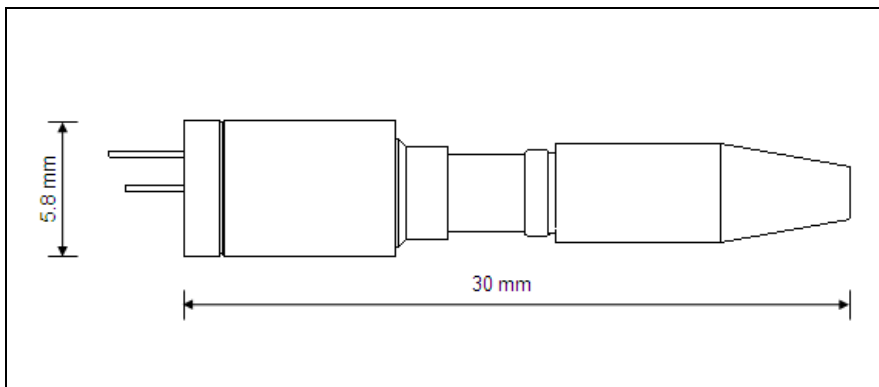
Vertically Integrated Systems

Pin out



Pin#	Signal	Description
1	Vcc	Power Supply for driver 3.3 V
2	--	not used
3	Xing	Crossing adjustment 0...3 V
4	Vmod	Amplitude adjustment 0...3 V
5	Vbias	Bias current control 0...3 V
6	--	not used
7	IN 1	HF input (high)
8	IN 2	HF input (low)

Dimensions



VI Systems GmbH

Hardenbergstrasse 7
10623 Berlin

Tel.: +49 30 3083143 30

Fax: +49 30 3083143 59

sales@v-i-systems.com

www.v-i-systems.com



www.facebook.com/VISystems

All product specifications and descriptions are subject to change without notice.

Please contact our sales department for additional information and to receive a quotation: sales@v-i-systems.com

www.v-i-systems.com

VI Systems GmbH Hardenbergstrasse 7 D-10623 Berlin