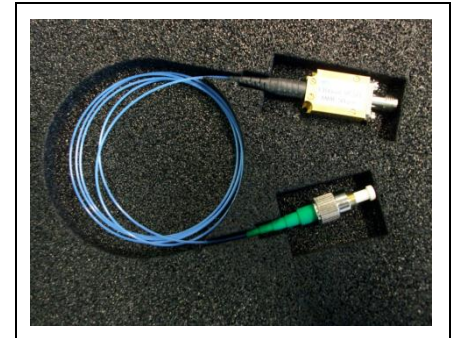


Up to 50 Gbit/s VCSEL Multi-Mode Fiber-Coupled Module (850 nm)



Sample image only. Actual product may vary

Product Code: V50-850M

Product Description

High-speed transmitter module for test purpose with integrated 850nm VCSEL fiber coupled to an OM3 multimode fiber for optical output. The module is designed as engineering sample for high speed test applications. Multi mode and single mode VCSEL versions are available.

Features

- OM3 MMF Pigtail (50 μ m core, 1 m length)
- FC/PC optical output connector
- Anritsu V electrical connector
- Multi Mode and Single Mode VCSEL versions

Applications

- Research and development
- 25G/50G Ethernet channel testing

Parameter	V50-850M-MM	V50-850M-SM
VCSEL type	Multi mode	Single mode
Emission Wavelength	850 nm (available 835 – 865 nm)	850 nm (available 835 – 865 nm)
Data rate	Up to 50 Gbit/s	Up to 50 Gbit/s
Peak Output Power	4 mW	1 mW

All product specifications and descriptions are subject to change without notice.

Please contact our sales department for additional information and to receive a quotation: sales@v-i-systems.com

Datasheet

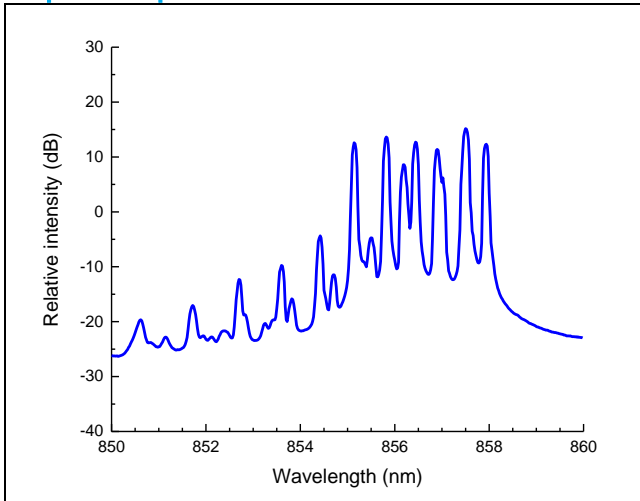
V50-850M



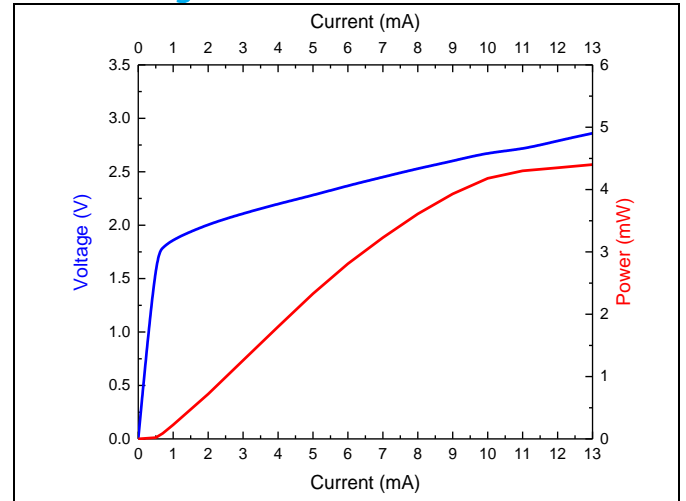
Vertically Integrated Systems

V50-850M-MM: Multi mode VCSEL version

Optical spectrum



L-I-V Diagram



Electro-optical characteristics (at T_{case} = 25 °C)

Parameter	Symbol	Test Condition	Min	Typ	Max	Unit
Emission wavelength	λ		835		865	nm
Maximum data rate	BR	NRZ		50		Gbit/s
Bandwidth	BW (f_{3dB})			21		GHz
Rise / Fall time	τ_R / τ_F	20%-80%		12 / 12		ps
Slope efficiency	η	5-10 mA	0.3		0.45	W/A
Threshold current	I_{th}				0.5	mA
Peak output power	P_{max}				4	mW
Optical spectrum				Multi mode		
Spectral bandwidth (RMS)	$\Delta\lambda_{RMS}$		0.2	0.4	0.6	nm

Absolute Maximum Ratings

Parameter	Symbol	Min	Max	Unit
Storage temperature	T_{st}	-40	+90	°C
Maximum forward current	I_f		9	mA
Maximum reverse voltage	V_{rv}		5	V

All product specifications and descriptions are subject to change without notice.

Please contact our sales department for additional information and to receive a quotation: sales@v-i-systems.com

Datasheet

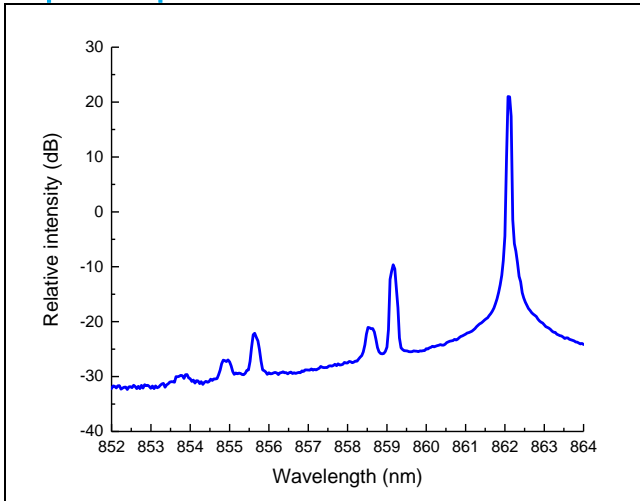
V50-850M



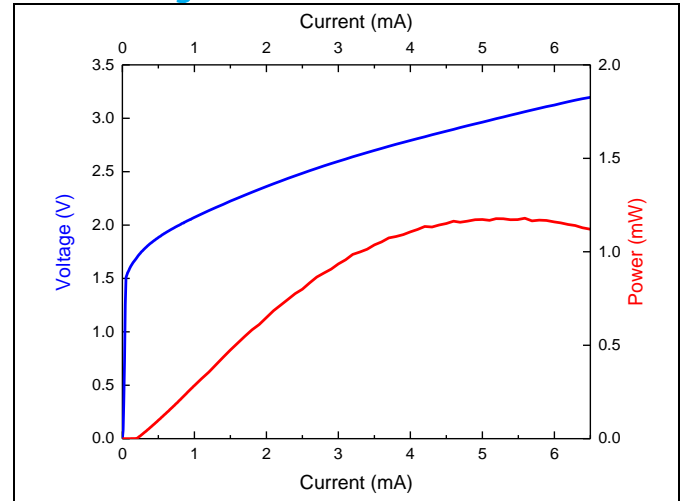
Vertically Integrated Systems

V50-850M-SM: Single mode VCSEL version

Optical spectrum



L-I-V Diagram



Electro-optical characteristics (at T_{case} = 25 °C)

Parameter	Symbol	Test Condition	Min	Typ	Max	Unit
Emission wavelength	λ		835		865	nm
Maximum data rate	BR	NRZ		50		Gbit/s
Bandwidth	BW (f_{3dB})			21		GHz
Rise / Fall time	τ_R / τ_F	20%-80%		12 / 12		ps
Slope efficiency	η	2-4 mA	0.2		0.35	W/A
Threshold current	I_{th}				0.5	mA
Peak output power	P_{max}				1	mW
Optical spectrum				Single mode		
Side mode suppression ratio	SMSR			15		dB

Absolute Maximum Ratings

Parameter	Symbol	Min	Max	Unit
Storage temperature	T_{st}	-40	+90	°C
Maximum forward current	I_f		4	mA
Maximum reverse voltage	V_{rv}		5	V

All product specifications and descriptions are subject to change without notice.

Please contact our sales department for additional information and to receive a quotation: sales@v-i-systems.com

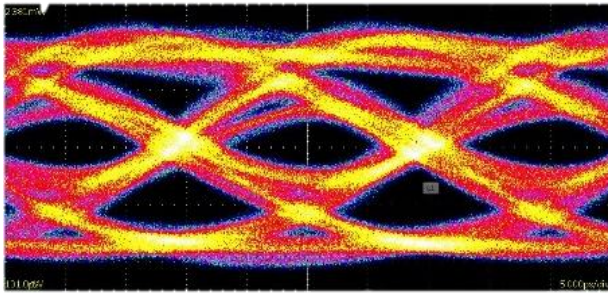
Datasheet

V50-850M



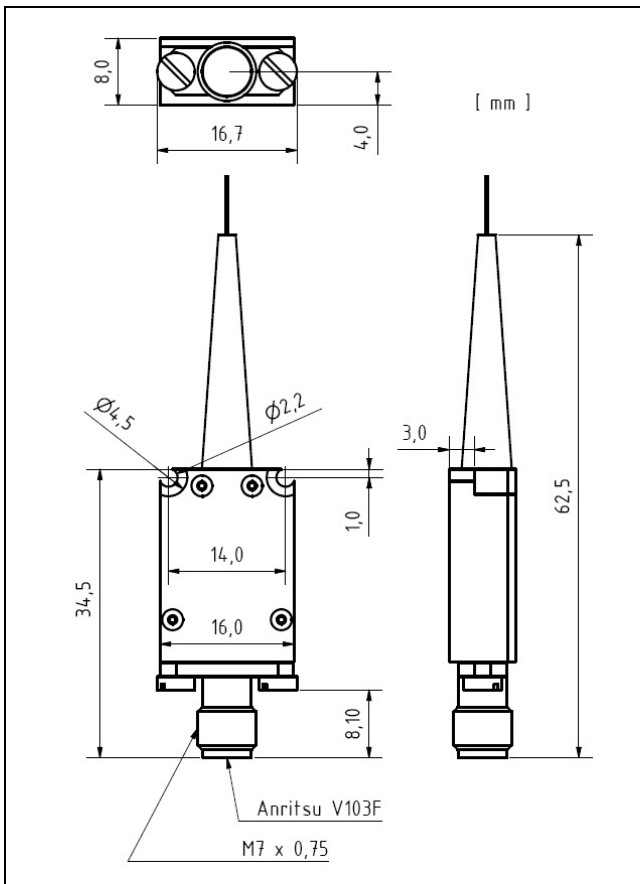
Vertically Integrated Systems

Eye diagram at 50 Gbit/s

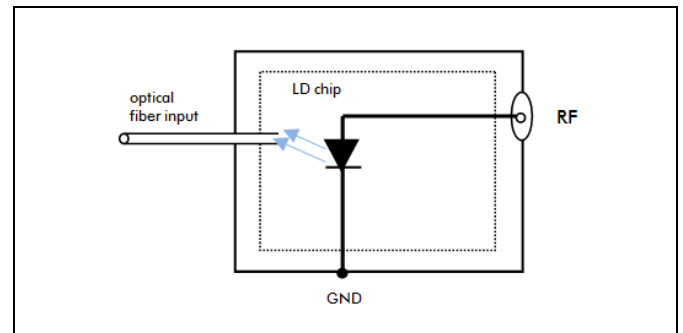


Receiver: Tektronix 80C15-32 GHz

Mechanical dimensions



Schematic diagram



LASER RADIATION. DO NOT VIEW
DIRECTLY WITH OPTICAL
INSTRUMENTS
CLASS 1M LASER PRODUCT



VI Systems GmbH

Hardenbergstrasse 7
10623 Berlin

Tel.: +49 30 3083143 30

Fax: +49 30 3083143 59

sales@v-i-systems.com

www.v-i-systems.com



www.facebook.com/VISystems

All product specifications and descriptions are subject to change without notice.

Please contact our sales department for additional information and to receive a quotation: sales@v-i-systems.com

www.v-i-systems.com

VI Systems GmbH Hardenbergstrasse 7 D-10623 Berlin

No. 150107-Rev 2.7

July 2016