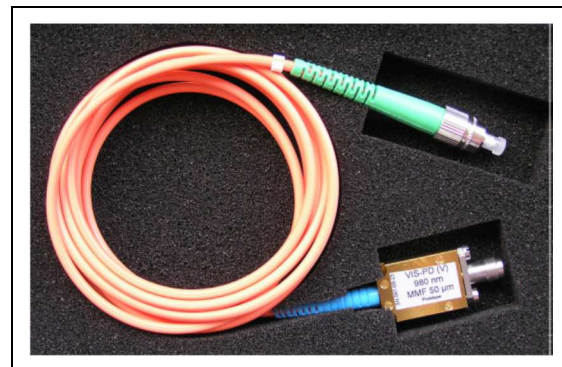


High Speed (up to 50 Gbit/s) Multi-Mode Fiber-Coupled Photodetector Module (840-1550 nm)

WITH FC CONNECTORIZED FIBER PIGTAIL

Product Code: **D50-1300M**



Sample image only. Actual product may vary
Not hermetically sealed

Preliminary

Product Description

These high speed photodetector modules consist of an InP *pin* photodetector integrated with a 50 μm -core diameter multimode fiber for optical input. The responsivity is greater than 0.5 A/W at 980 nm and 0.6 A/W at 1310nm. The modules are engineering samples and use an external DC.

Features

- Up to 50Gbit/s NRZ
- MMF Pigtail (50 μm core, 1 m length)
- Anritsu V electrical connector
- FC/ PC optical output connector

Applications

- Fiber optics systems tests
- Research and development
- VCSEL testing

Parameter	Typical
Operating Wavelength	840 ~ 1550 nm
3 dB Bandwidth	30 GHz
Responsivity	0.4 A/W at 850 nm 0.5 A/W at 980 nm 0.6 A/W at 1310 nm 0.6 A/W at 1550 nm
Dark current	5 nA

All product specifications and descriptions are subject to change without notice.

Please contact our sales department for additional information and to receive a quotation: sales@v-i-systems.com

Electro-optical characteristics (at T_{case} = 25 °C)

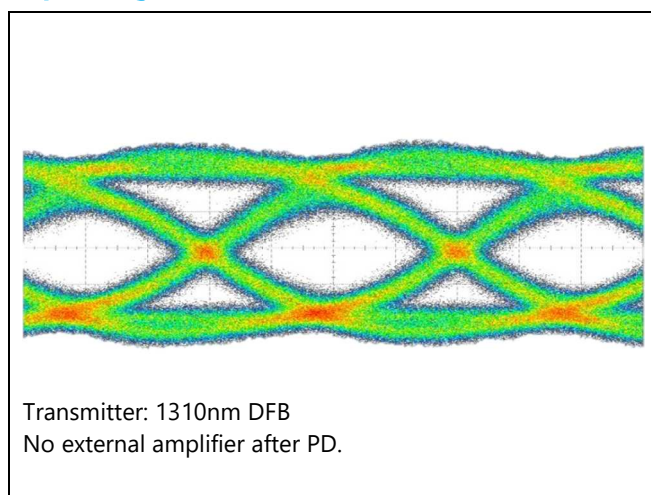
Preliminary

Parameter	Symbol	Test Condition	Min	Typ	Max	Unit
Operating wavelength	λ		840		1550	nm
Responsivity	R	$\lambda = 850\text{nm}$		0.4		A/W
		$\lambda = 980\text{nm}$		0.5		
		$\lambda = 1310\text{nm}$		0.6		
		$\lambda = 1550\text{nm}$		0.6		
Bandwidth	BW	$V_{\text{bias}} = -2\text{ V}$		30		GHz
Dark current	I_D			5		nA
Rise/Fall time	T_R / T_F		9		10	ps

Absolute Maximum Ratings

Parameter	Symbol	Min	Max	Unit
Storage temperature	T_{st}	-40	+90	°C
Maximum input power	P_{max}		10	dBm
Maximum reverse bias voltage	V_{bias}		-25	V
Maximum forward voltage	V_{forward}		1	V

Eye diagram at 50 Gbit/s (1310nm)



All product specifications and descriptions are subject to change without notice.

Please contact our sales department for additional information and to receive a quotation: sales@v-i-systems.com

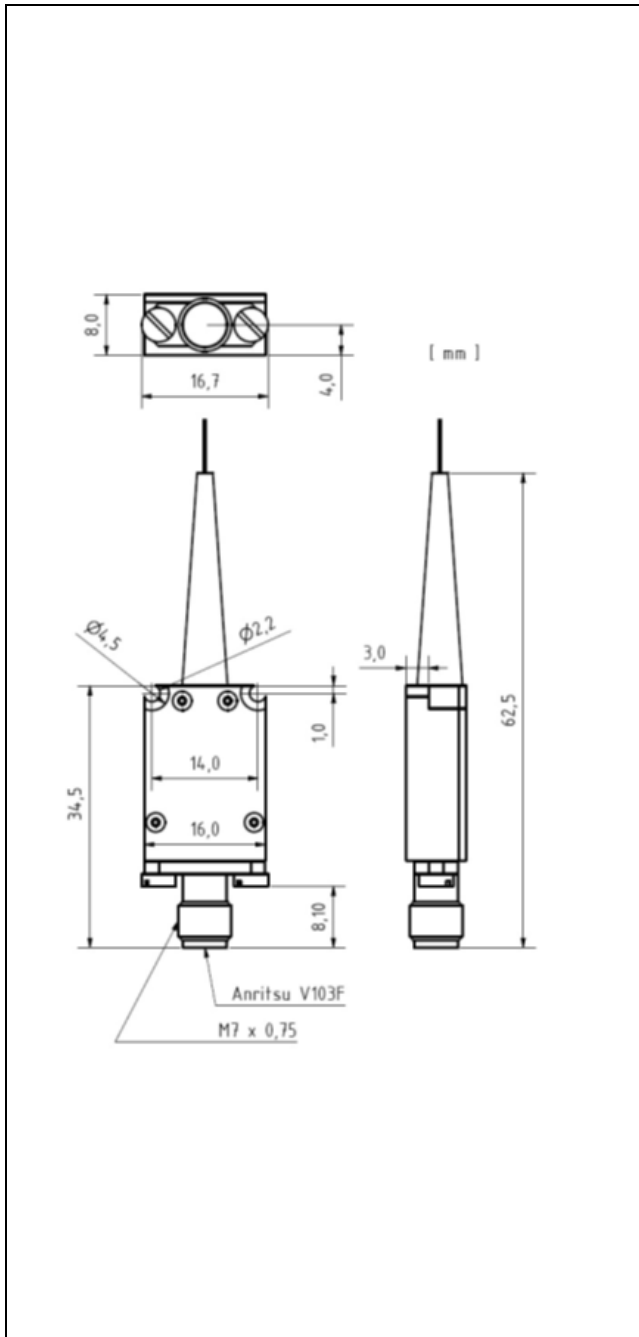
Datasheet

D50-1300M

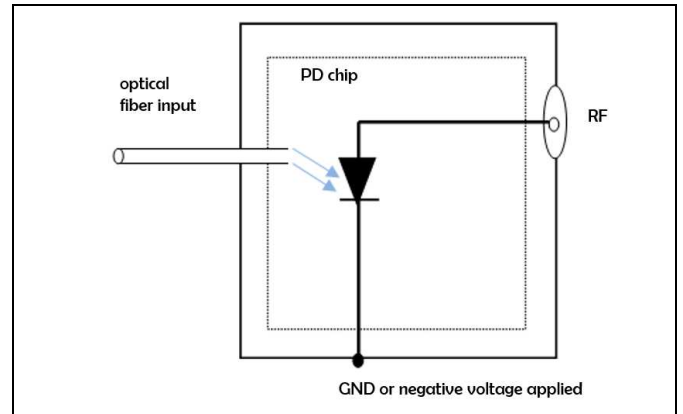


Vertically Integrated Systems

Mechanical dimensions



Schematic diagram



LASER RADIATION. DO NOT VIEW
DIRECTLY WITH OPTICAL
INSTRUMENTS
CLASS 1M LASER PRODUCT



VI Systems GmbH

Hardenbergstrasse 7
10623 Berlin

Tel.: +49 30 3083143 30

Fax: +49 30 3083143 59

sales@v-i-systems.com

www.v-i-systems.com



www.facebook.com/VISystems

All product specifications and descriptions are subject to change without notice.

Please contact our sales department for additional information and to receive a quotation: sales@v-i-systems.com

www.v-i-systems.com

VI Systems GmbH Hardenbergstrasse 7 D-10623 Berlin

No. 161210-Rev 1.5

January 2021