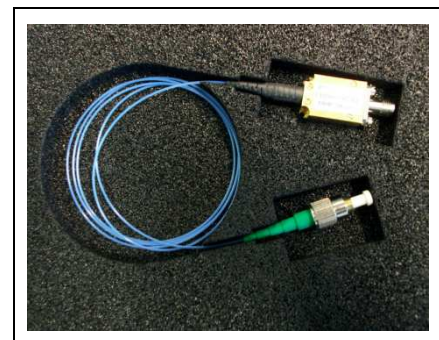


Up to 28 Gbit/s VCSEL Multi-Mode Fiber-Coupled Module (850 nm)



Sample image only. Actual product may vary

Product Code: V25-850M

Product Description

High-speed transmitter module for test purpose with integrated 850nm VCSEL fiber coupled to an OM3 multimode fiber for optical output. The module is designed as engineering sample for high speed test applications.

Multi mode and single mode VCSEL versions are available.

Features

- OM3 MMF Pigtail (50 μ m core, 1 m length)
- FC/PC optical output connector
- Anritsu V electrical connector
- Multi Mode and Single Mode VCSEL versions

Applications

- 16/32G Fibre Channel systems tests
- CEI-25 (25 and 28 Gb/s) systems tests
- 25G Ethernet channel testing

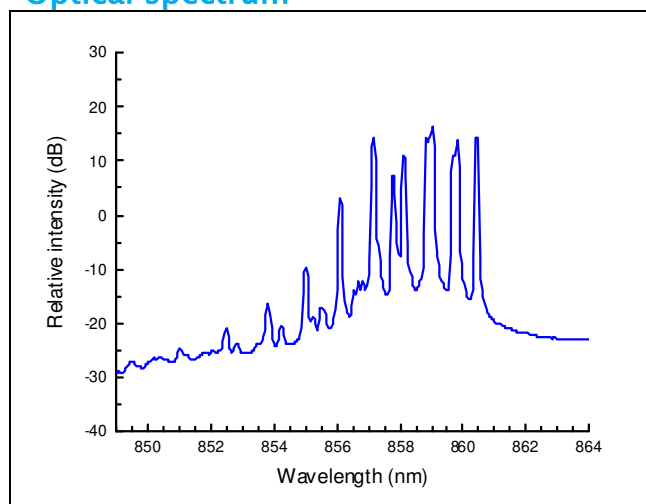
Parameter	V25-850M-MM	V25-850M-SM
VCSEL type	Multi mode	Single mode
Emission wavelength	850 nm (available 835 – 865 nm)	850 nm (available 835 – 865 nm)
Data rate	Up to 28 Gbit/s	Up to 28 Gbit/s
Peak output power	4 mW	1 mW

All product specifications and descriptions are subject to change without notice.

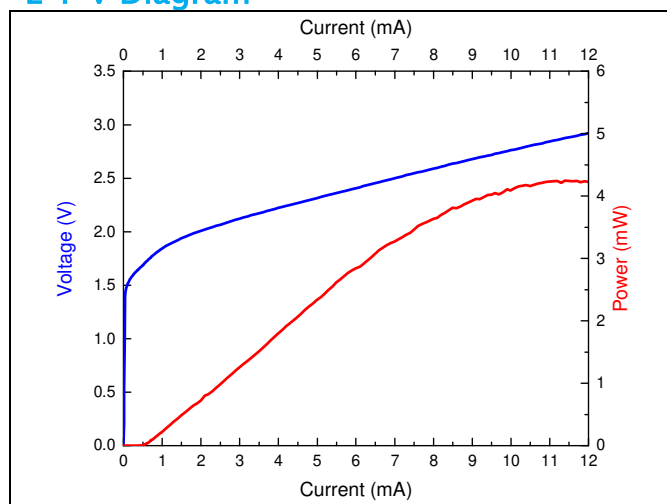
Please contact our sales department for additional information and to receive a quotation: sales@v-i-systems.com

V25-850M-MM: Multi mode VCSEL version

Optical spectrum



L-I-V Diagram



Electro-optical characteristics (at T_{case} = 25 °C)

Parameter	Symbol	Test Condition	Min	Typ	Max	Unit
Emission wavelength	λ		835		865	nm
Maximum data rate	BR	NRZ		25	28	Gbit/s
Bandwidth	BW (f_{3dB})			18		GHz
Rise / Fall time	τ_R / τ_F	20%-80%		15 / 15		ps
Slope efficiency	η	5-10 mA	0.3		0.45	W/A
Threshold current	I_{th}				1	mA
Peak output power	P_{max}				4	mW
Optical spectrum				Multi mode		
Spectral bandwidth (RMS)	$\Delta\lambda_{RMS}$		0.2	0.4	0.6	nm

Absolute Maximum Ratings

Parameter	Symbol	Min	Max	Unit
Storage temperature	T_{st}	-40	+90	°C
Maximum forward current	I_f		9	mA
Maximum reverse voltage	V_{rv}		5	V

All product specifications and descriptions are subject to change without notice.

Please contact our sales department for additional information and to receive a quotation: sales@v-i-systems.com

Datasheet

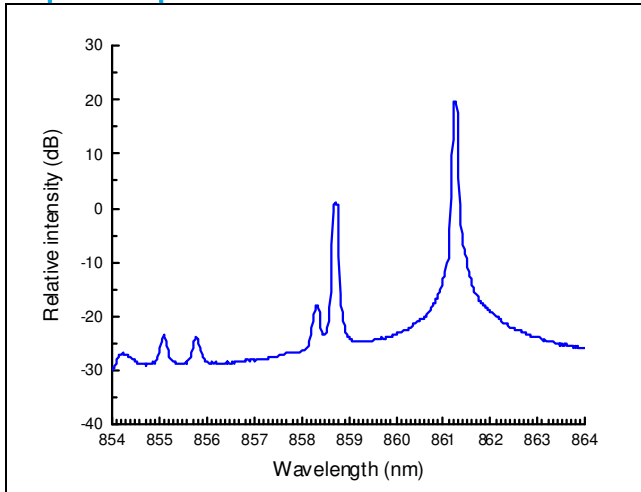
V25-850M



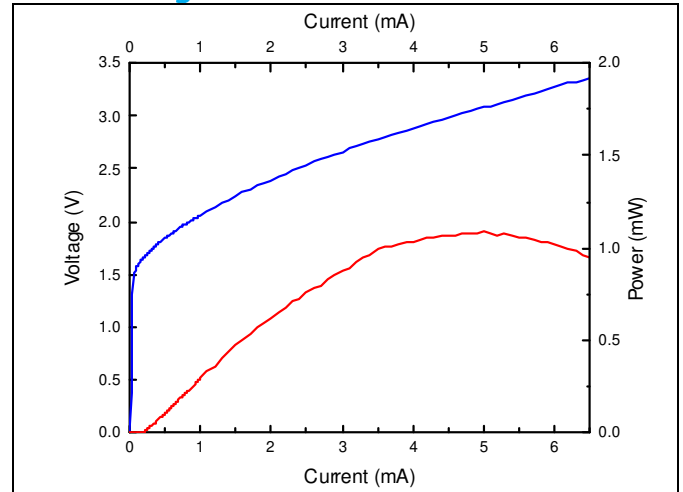
Vertically Integrated Systems

V25-850M-SM: Single mode VCSEL version

Optical spectrum



L-I-V Diagram



Electro-optical characteristics (at T_{case} = 25 °C)

Parameter	Symbol	Test Condition	Min	Typ	Max	Unit
Emission wavelength	λ		835		865	nm
Maximum data rate	BR	NRZ		25	28	Gbit/s
Bandwidth	BW (f_{3dB})			18		GHz
Rise / Fall time	τ_R / τ_F	20%-80%		15 / 15		ps
Slope efficiency	η	2-4 mA	0.2		0.35	W/A
Threshold current	I_{th}				1	mA
Peak output power	P_{max}				1	mW
Optical spectrum			Single mode			
Side mode suppression ratio	SMSR			15		dB

Absolute Maximum Ratings

Parameter	Symbol	Min	Max	Unit
Storage temperature	T_{st}	-40	+90	°C
Maximum forward current	I_f		4	mA
Maximum reverse voltage	V_{rv}		5	V

All product specifications and descriptions are subject to change without notice.

Please contact our sales department for additional information and to receive a quotation: sales@v-i-systems.com

www.v-i-systems.com

VI Systems GmbH Hardenbergstrasse 7 D-10623 Berlin

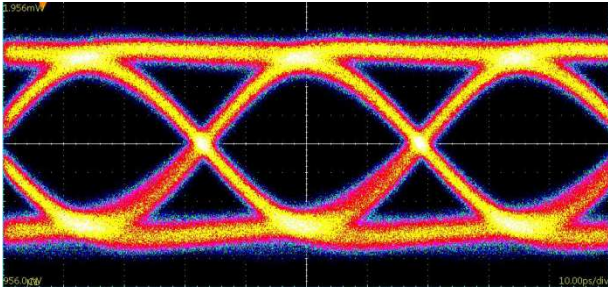
Datasheet

V25-850M



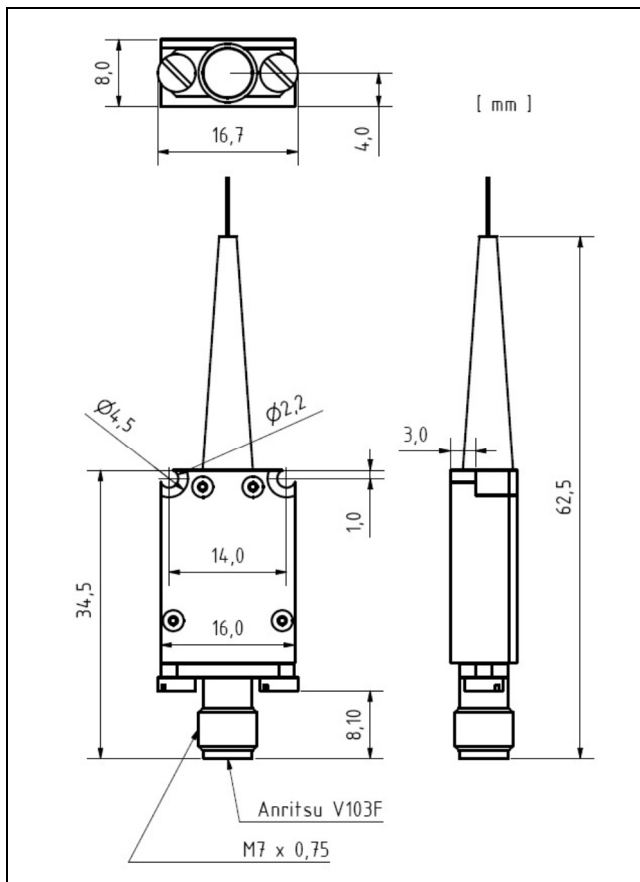
Vertically Integrated Systems

Eye diagram at 28 Gbit/s

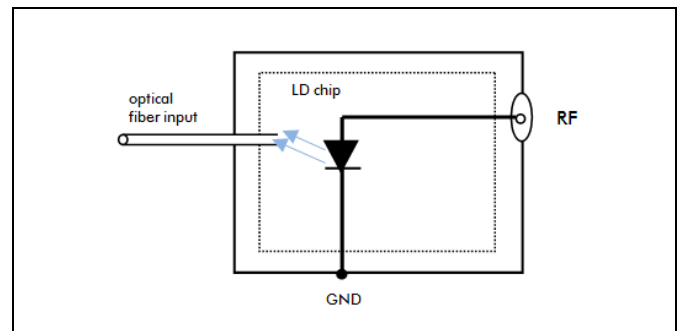


Receiver: Textronix 80C15-32 GHz

Mechanical dimensions



Schematic diagram



LASER RADIATION. DO NOT VIEW
DIRECTLY WITH OPTICAL
INSTRUMENTS
CLASS 1M LASER PRODUCT



VI Systems GmbH
Hardenbergstrasse 7
10623 Berlin
Tel.: +49 30 3083143 30
Fax: +49 30 3083143 59
sales@v-i-systems.com
www.v-i-systems.com
 www.facebook.com/VISystems

All product specifications and descriptions are subject to change without notice.
Please contact our sales department for additional information and to receive a quotation: sales@v-i-systems.com

www.v-i-systems.com

VI Systems GmbH Hardenbergstrasse 7 D-10623 Berlin

No. 090825-Rev 2.8

January 2021