

High Speed (up to 56 Gbit/s) Multi-Mode Fiber-Coupled Photodetector Module (840-1650 nm)

WITH FC CONNECTORIZED FIBER PIGTAIL

Product Code: D30-850M

Product Description

These high speed photodetector modules consist of an InP *pin* photodetector integrated with a 50 μm -core diameter multimode fiber for optical input. The responsivity is greater than 0.4 A/W at 850 nm. The modules are engineering samples and use an optional external DC bias-T.

Features

- MMF Pigtail (50 μm core, 1 m length);
- Anritsu V electrical connector;
- FC/PC optical output connector;
- 3 dB bandwidth ≥ 30 GHz

Applications

- Fiber optics systems tests
- Research and development
- VCSEL testing

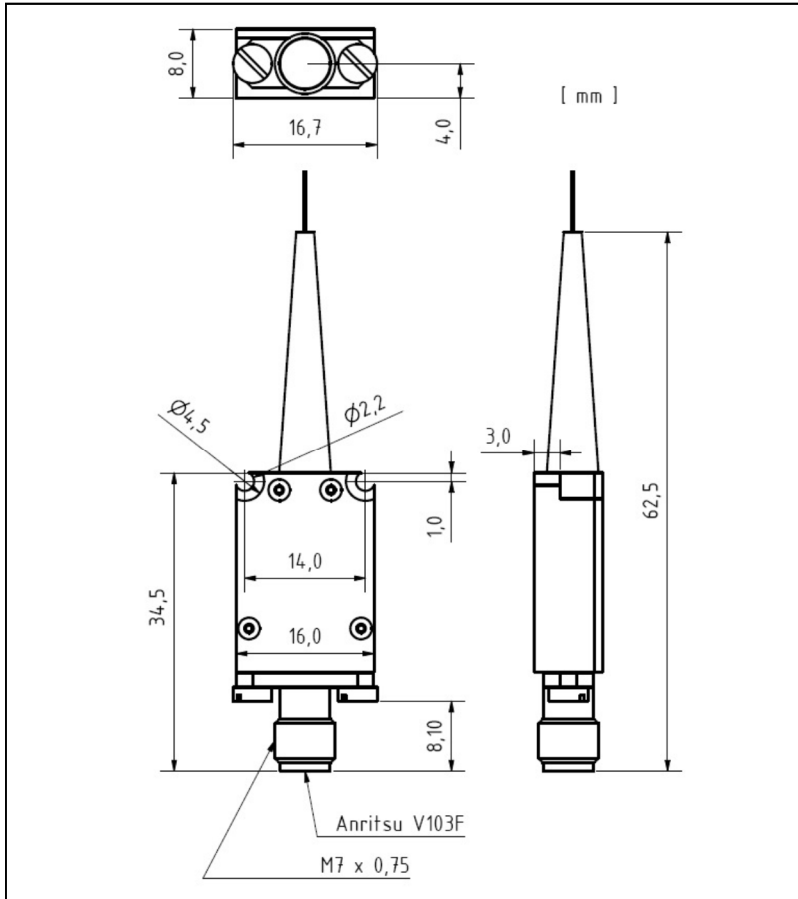


Actual product may vary in appearance.

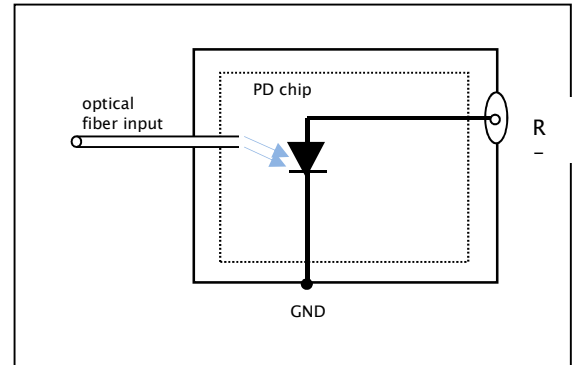
Parameter	Typical	Notes
Operating Wavelength	840 ~ 1650 nm	
3 dB Bandwidth	≥ 30 GHz	
Dark Current	< 10 pA	
Reverse bias voltage	-2 to -4 volts	
Maximum input power	2 mW @ 850 nm	

All product specifications and descriptions are subject to change without notice.

Mechanical dimensions



Schematic Diagram



VI Systems GmbH
Hardenbergstrasse 7
10623 Berlin
Tel.: +49 30 3083143 30
Fax: +49 30 3083143 59
sales@v-i-systems.com
www.v-i-systems.com

All product specifications and descriptions are subject to change without notice.
Please contact our sales department for additional information and to receive a quotation: sales@v-i-systems.com